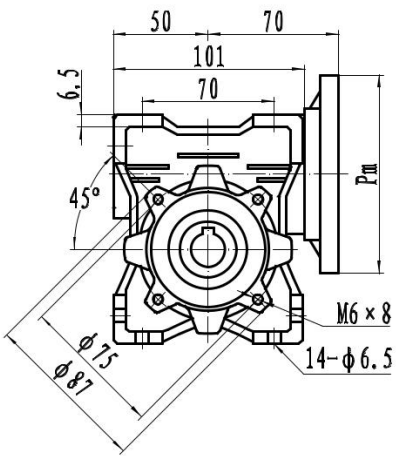
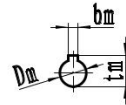


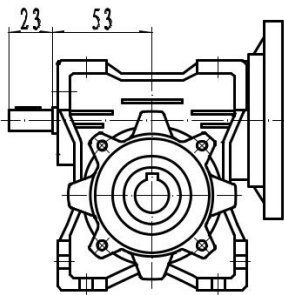
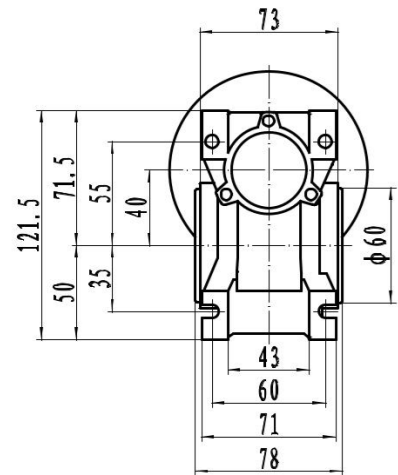
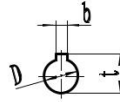
PDW 040



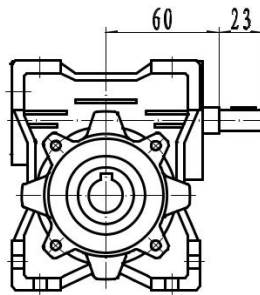
Входной вал



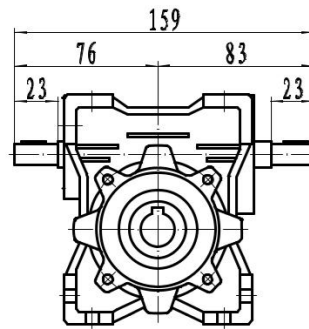
Выходной вал



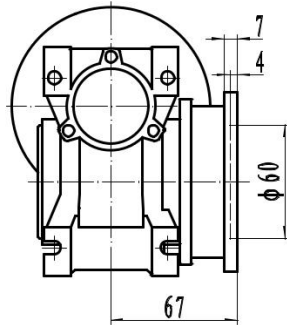
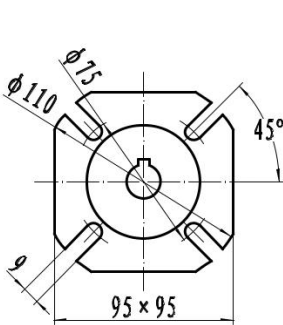
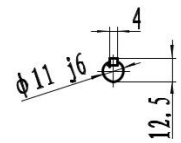
PDW...E



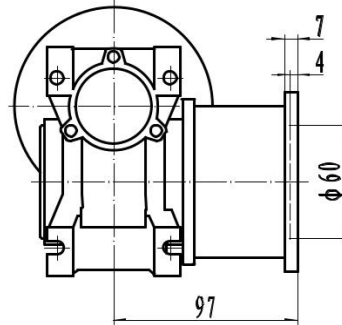
PDW...R



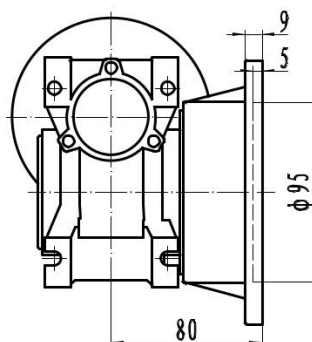
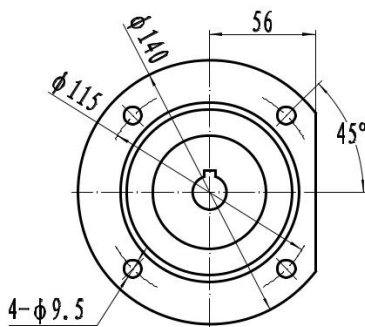
PDW...E/R



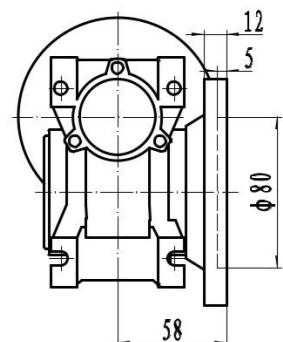
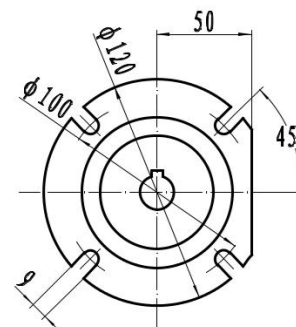
PDW...FA



PDW...FB



PDW...FC



PDW...FD

D H7	b D10	t
18	6	20.8
(19)	(6)	(21.8)

	Pm	Dm	bm	tm
56B5	120	9	3	10.4
63B5	140	11	4	12.8
63B14	90			
71B5	160	14	5	16.3
71B14	105			