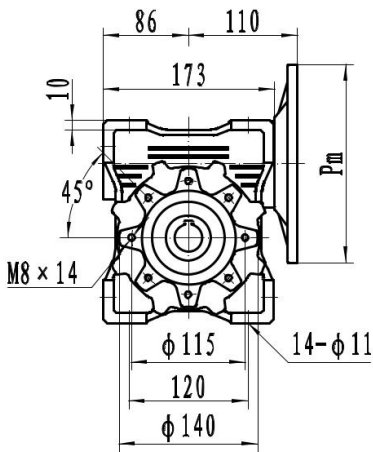
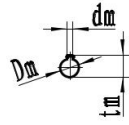


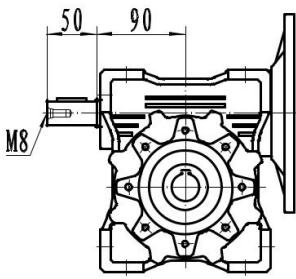
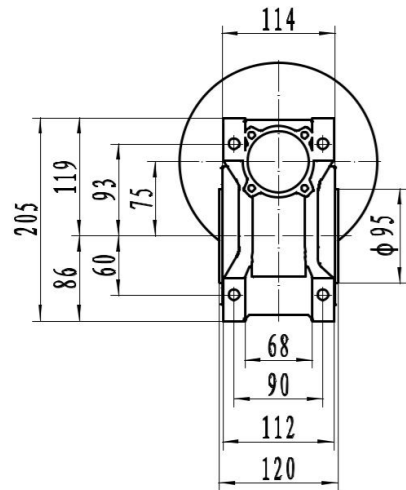
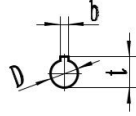
**PDW 075**



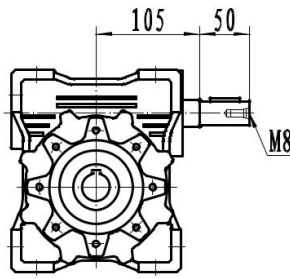
Входной вал



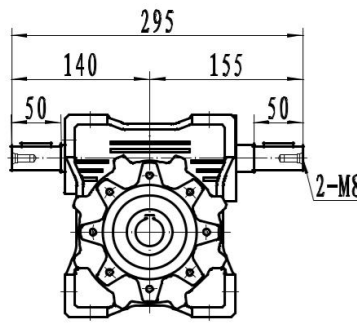
Выходной ва



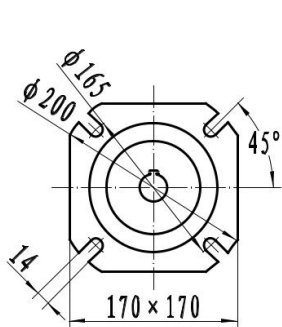
**PDW...E**



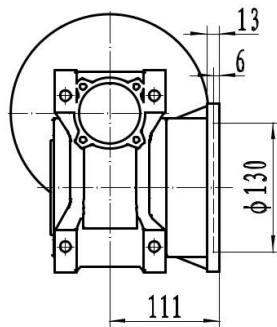
**PDW...R**



**PDW...E/R**



**PDW...FA**



**PDW...FB**

D H7	b D10	t
28	8	31.3
(35)	(10)	(38.3)

	Pm	Dm	bm	tm
71B5	160	14	5	16.3
80B5	200	19	6	21.8
80B14	120	19	6	21.8
90B5	200	24	8	27.3
90B14	140	24	8	27.3
100/112B5	250	28	8	31.3
100/112B14	160	28	8	31.3