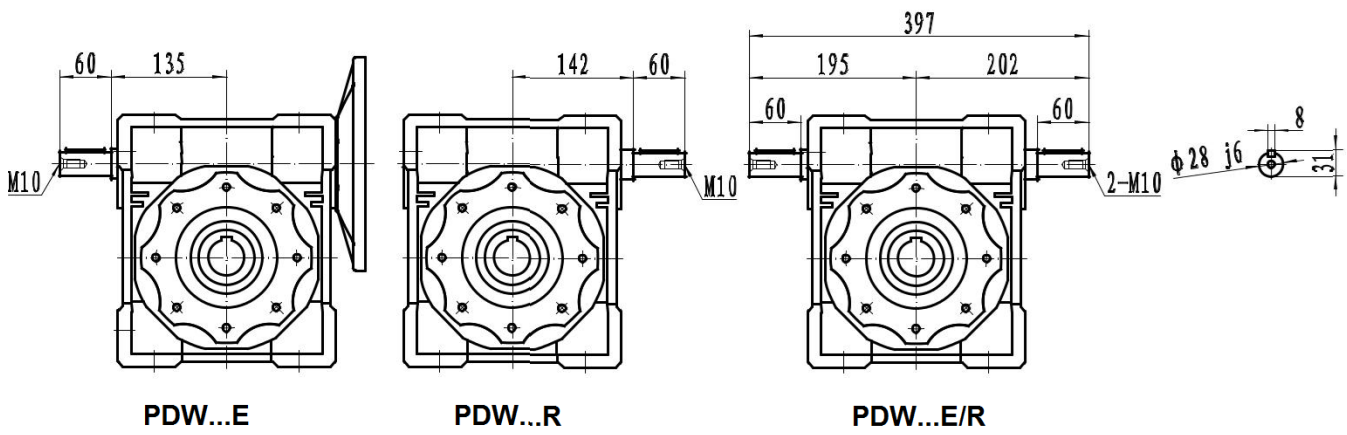
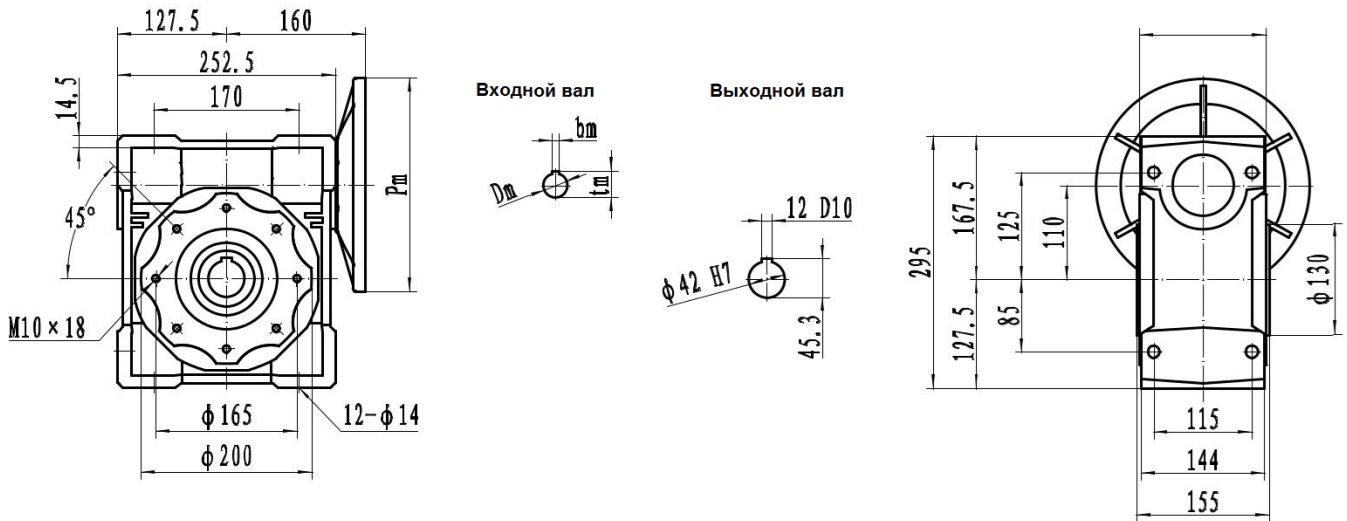


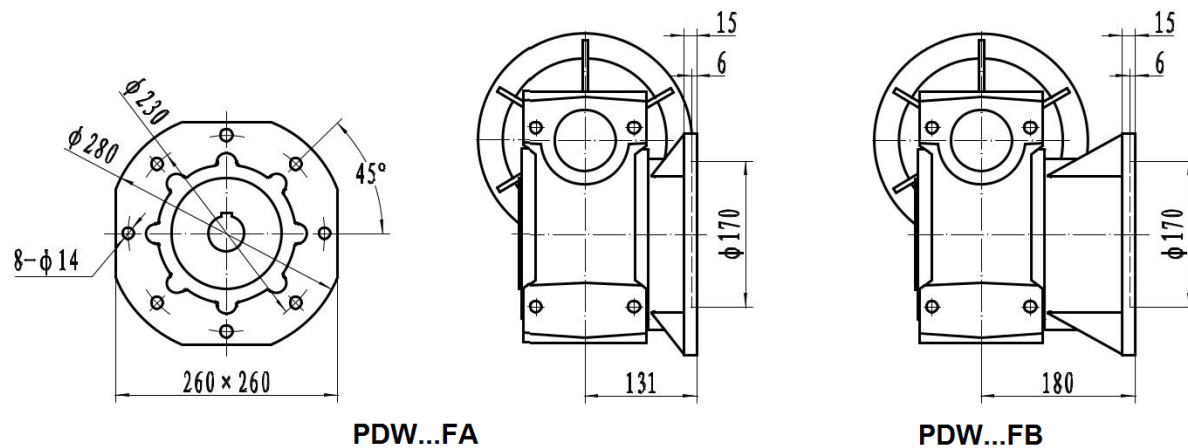
# PDW 110



PDW...E

PDW...R

PDW...E/R



PDW...FA

PDW...FB

	Pm	Dm	bm	tm
80B5	200	19	6	21.8
90B5	200	24	8	27.3
90B14	140	24	8	27.3
100/112B5	250	28	8	31.3
100/112B14	160	28	8	31.3
132B5	300	38	10	41.3
132B14	200	38	10	41.3